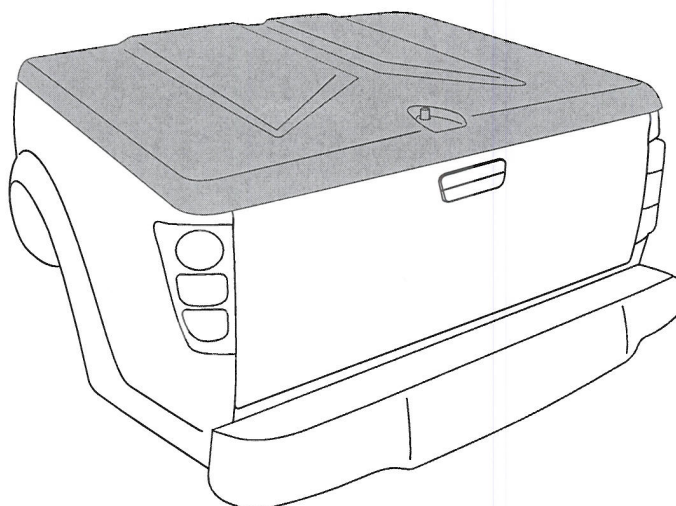


# 1 PIECE TONNEAU COVER INSTALLATION INSTRUCTIONS

## VEHICLE DESCRIPTION:

## Isuzu D-Max 2012



**INSTALLATION TIME:**  
2 Hours (Approximately)

**PLEASE KEEP INSTRUCTIONS IN GLOVE BOX FOR FURTHER USE**

### RECOMMENDED TOOLS LIST - (Not Supplied in Kit)

- |                             |                             |                                  |
|-----------------------------|-----------------------------|----------------------------------|
| • Ø5.5, Ø7.0 mm Drill Bit   | • Hammer & Centre Punch     | • Tape Measure                   |
| • Drill                     | • Non-permanent Marker      | • Masking Tape                   |
| • Cleaning Cloth            | • Phillips Head Screwdriver | • Spanner 10,13mm                |
| • Socket Wrench 10,12,13mm  | • Rivet Gun                 | • Silicon Dispenser and Silicone |
| • Counter Sinking Drill Bit | • T40 size Torx Bit         | • Torque Wrench                  |

**PLEASE REFER TO PAGE 2, OF THIS INSTRUCTION FOR A LIST OF PARTS AND QUANTITIES.**

**IMPORTANT:** To obtain correct installation, we recommend that you follow these step by step instructions carefully. Failure to do so may result in improper fit and or retention.

- Please take care when assembling and installing this product to protect the finish and your investment.

#### Finish Protection:

- Only use cleaners, waxes, or products that are labelled safe for use on plastics. Avoid the use of any chemicals to clean your Tonneau Cover unless labelled safe for plastics. Avoid use of abrasive type cleansers as they may dull the finish.
- If fuel is splashed onto the Tonneau Cover immediately wash it off with car washing detergent and water. If staining is apparent polish the stain out with a commercially available car polish.

#### Maintenance:

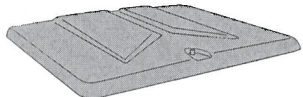

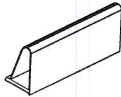

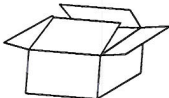
- The gas struts are self lubricating and should only be cleaned occasionally with a damp cloth. Premature seal failure will result if solvents or lubricants are used to clean struts.
- The locking mechanisms & Latches only require occasional lubrication with Graphite Powder. DO NOT use any other lubricants or oils. Using alternative products will VOID Warranty.
- All installation hardware and fasteners must be checked every so often for tightness.

**Disclaimer:** The buyer assumes all risk and liability whatsoever from the installation and use of our products. Our products are sold as decorative accessories and should not be relied upon as protection for the vehicle or occupants in the event of a collision or rollover. The manufacturer assumes no liability for injury, loss, incidental or consequential damages in the event of a collision or rollover.



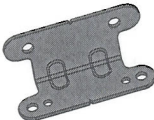




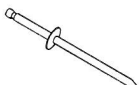

















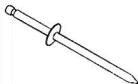

PARTS CHECK SHEET

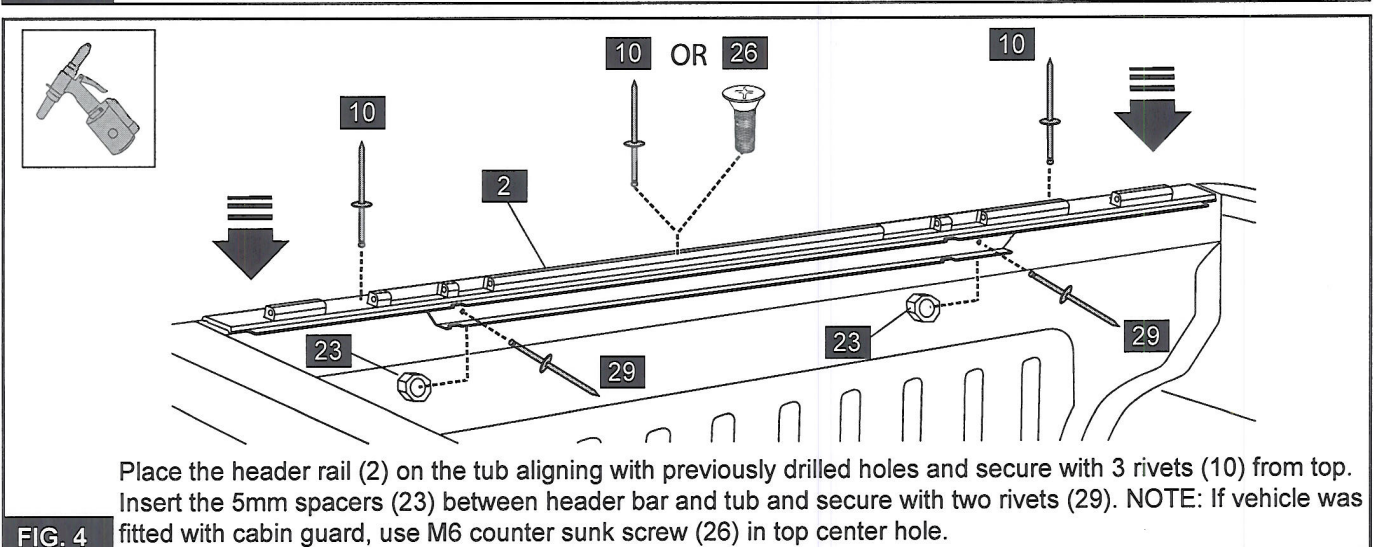
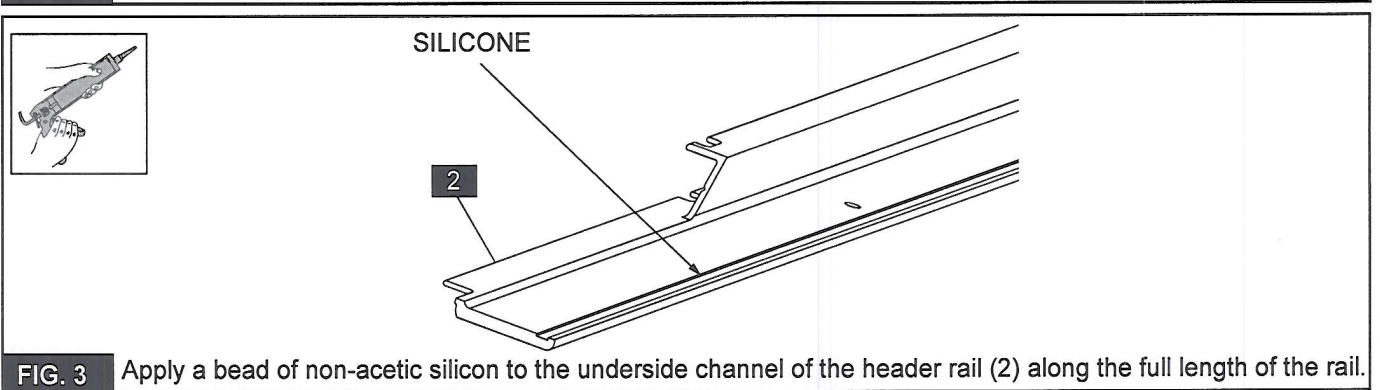
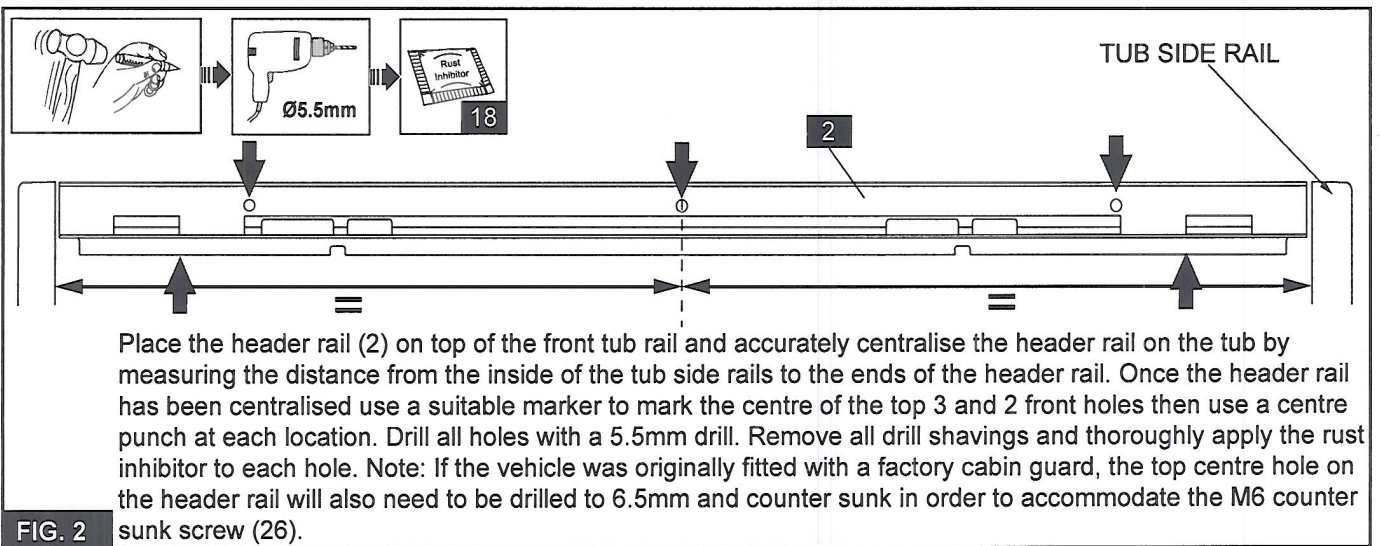
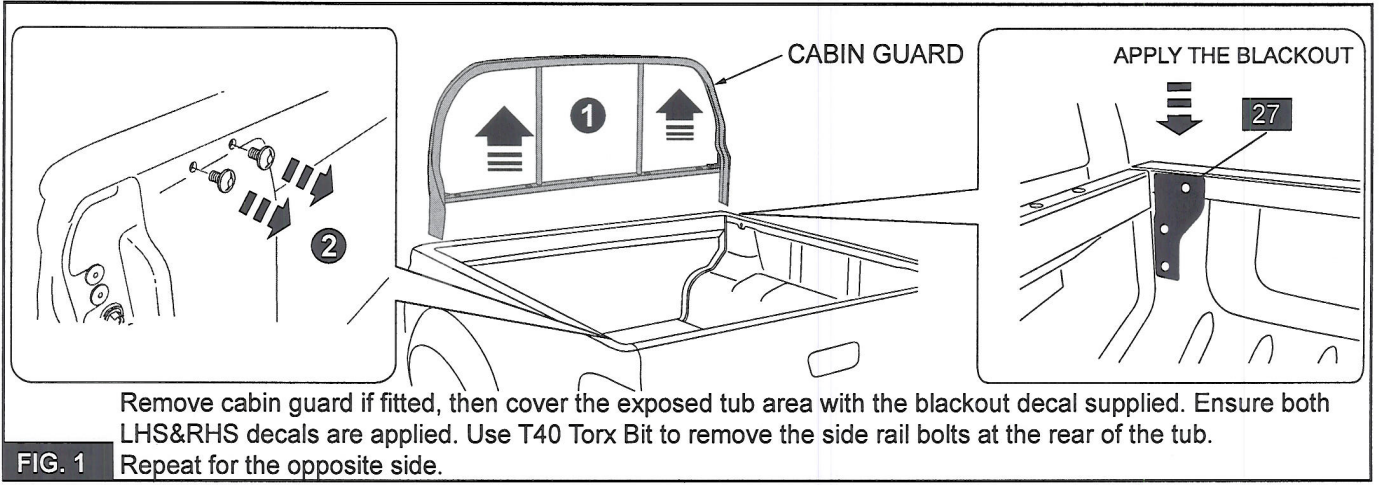
ISUZU D-MAX 1PC TONNEAU COVER

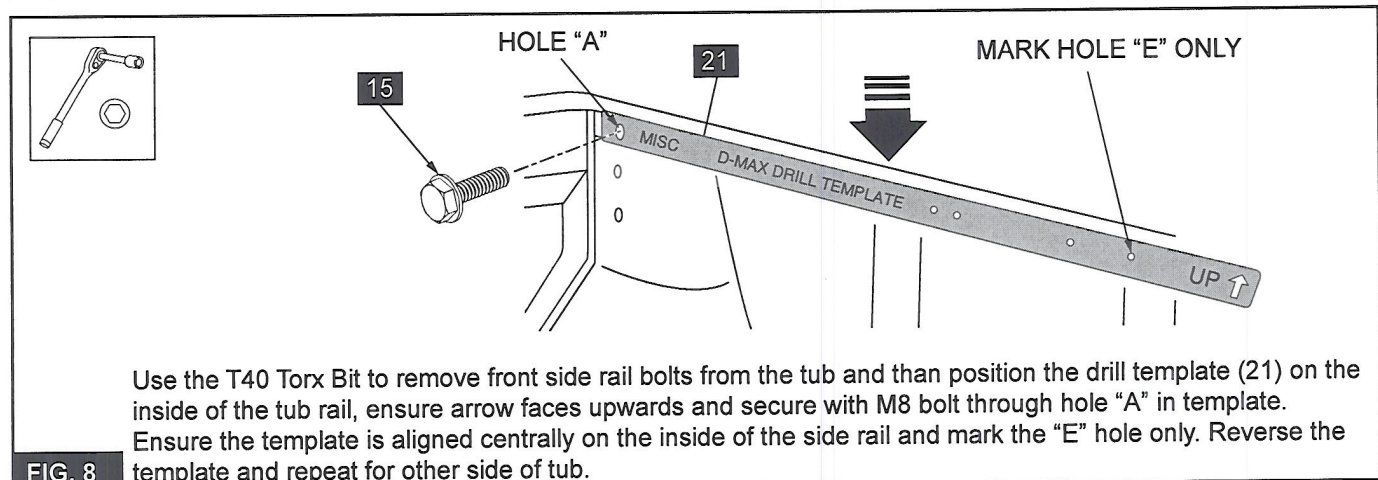
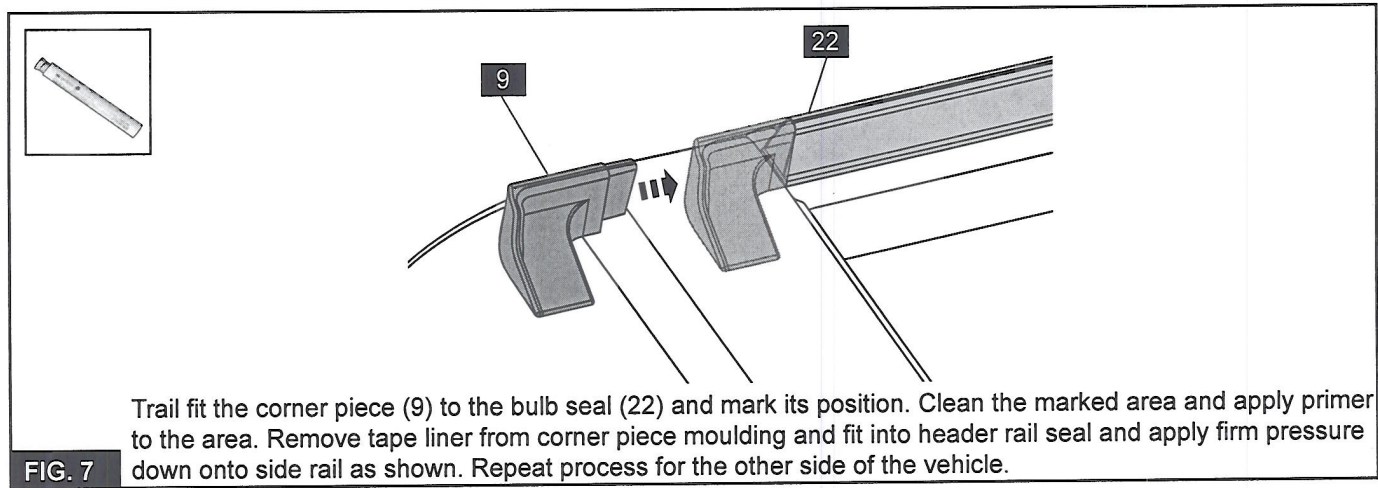
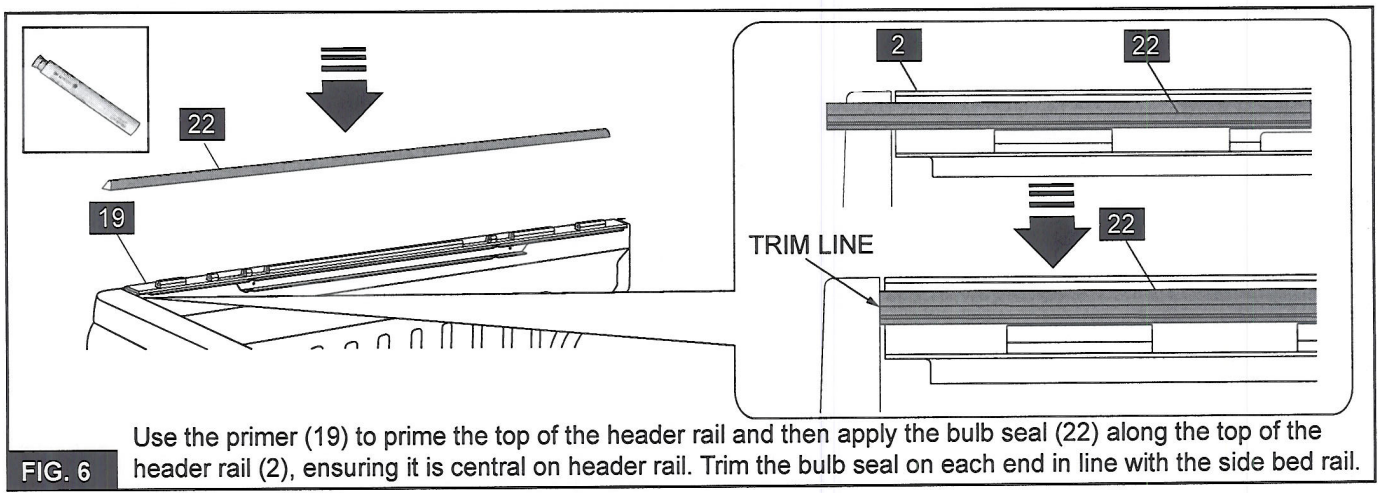
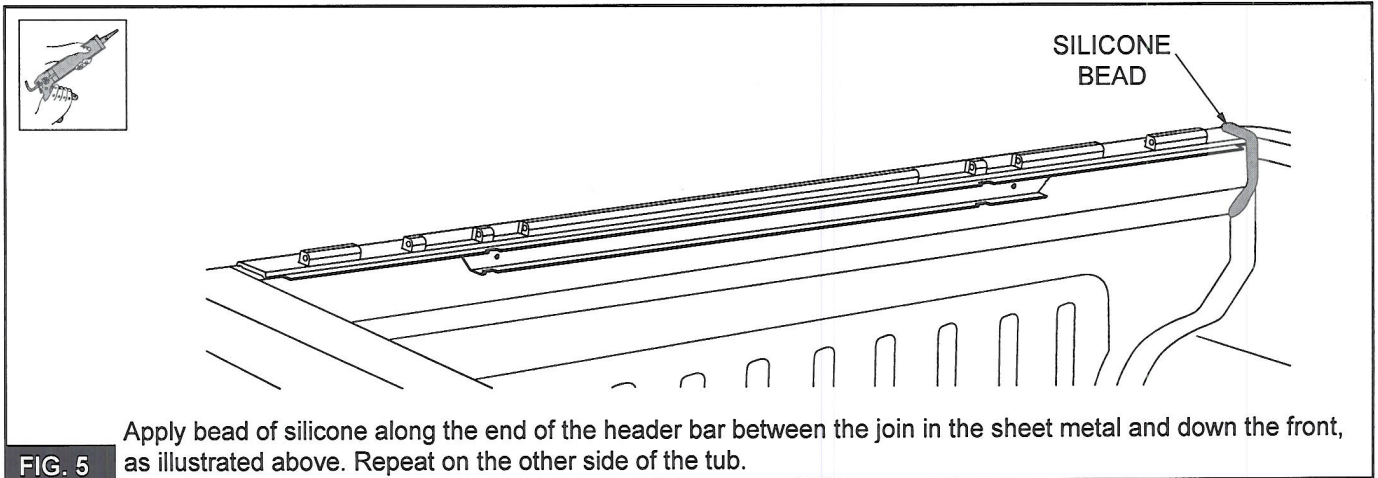
**PARTS IN MAIN CARTON**

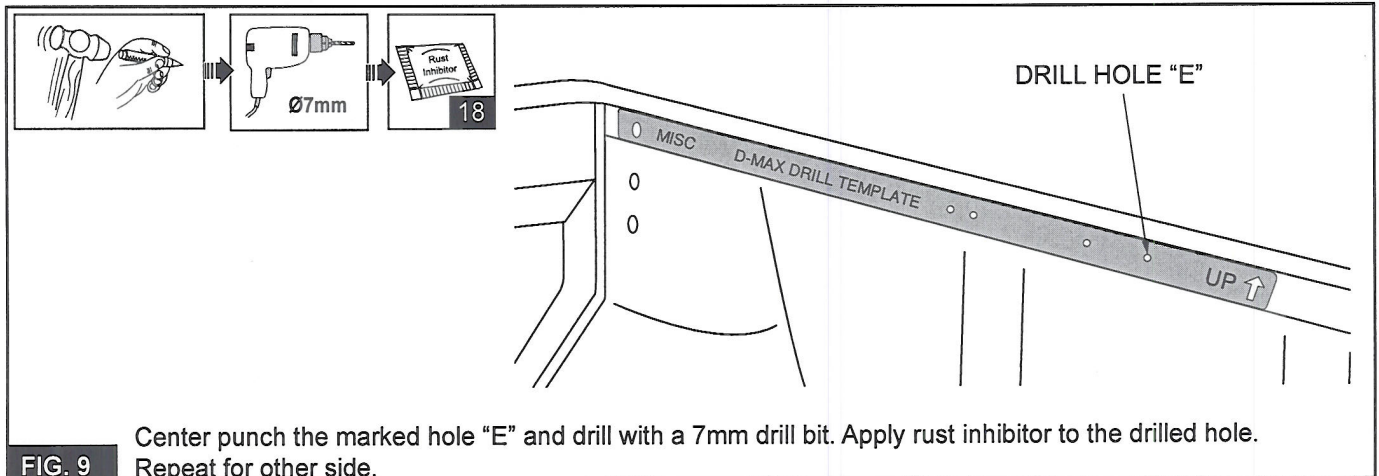
<b>1</b>	<b>2</b>	<b>22</b>		
				
Tonneau Cover Qty - 1	Header Rail (HBAR0015) Qty - 1	Header Rail Seal (MISC2229-9) Qty - 1	Lock Keys (Attached to Tonneau) Qty - 2	Fitting Kit Qty - 1

**PARTS IN FITTING KIT**

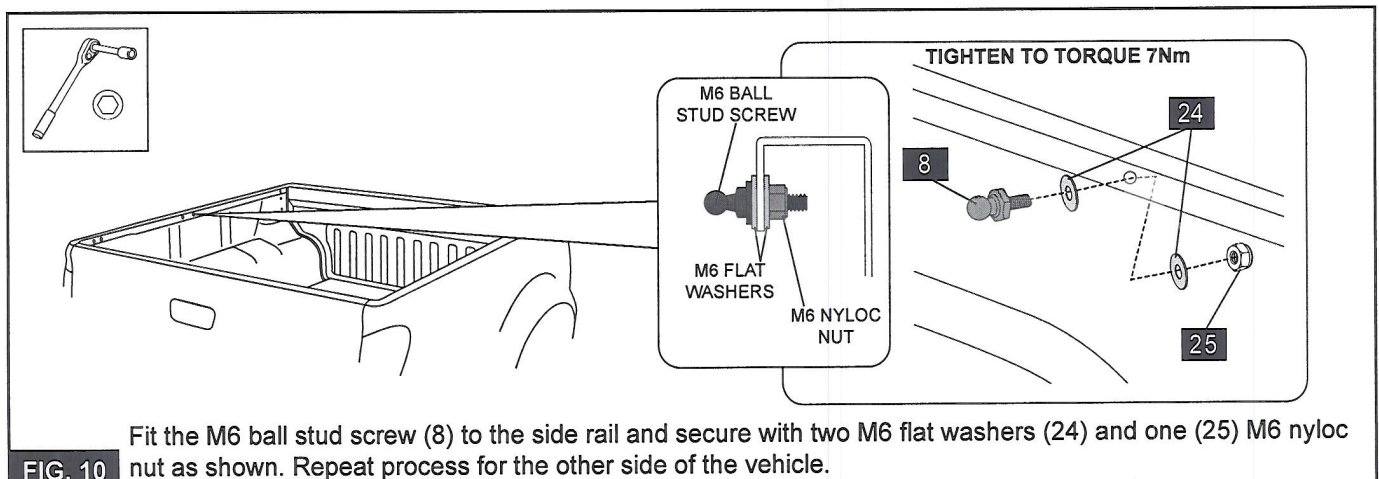
<b>3</b>	<b>4</b>	<b>5</b>	<b>6</b>	<b>7</b>	<b>8</b>	<b>9</b>
						
Hinge Pin (CLIP2808) Qty - 2	Gas Strut (STRT0021) Qty - 2	Striker Bracket (CLIP2874PC) Qty - 2	Striker U-Bolt (LOCK0006) Qty - 2	Striker Packer (CLIP2809PC) Qty - 2	Ball Stud Screw M6 (SCRW0724) Qty - 2	Corner Piece Moulding (INJM0012-1) Qty - 1 Pair
<b>10</b>	<b>11</b>	<b>12</b>	<b>13</b>	<b>14</b>	<b>15</b>	<b>16</b>
						
Pop Rivet (FAST0609) Qty - 3	M6 Small S/S Flat Washer (WASH0153) Qty - 8	M6 S/S Spring Washer (WASH0103) Qty - 4	M6 S/S Hex Nut (NUTS0161) Qty - 8	Rubber Thread Cap (MISC2532) Qty - 4	M8x25 Hex Head Bolt (SCRW0696) Qty - 4	M8 S/S Spring Washer (WASH0152) Qty - 4
<b>17</b>	<b>18</b>	<b>19</b>	<b>20</b>	<b>21</b>	<b>23</b>	<b>24</b>
						
M8 S/S Flat Washer (WASH0171) Qty - 4	Rust Inhibitor (MISC2776) Qty - 1	Primer Stick (MISC1365) Qty - 2	Alcohol Wipe (MISC0052) Qty - 2	Side Rail Drill Template (MISC3674) Qty - 1	5mm Spacer (MISC3661) Qty - 2	M6 Flat Washer Large (WASH0169) Qty - 4
<b>25</b>	<b>26</b>	<b>27</b>	<b>28</b>	<b>29</b>	<b>30</b>	
						
M6 S/S Nyloc (NUTS0016) Qty - 2	M6 Counter Sunk Screw (SCRW0862) Qty - 1	Blackout Decal RHS (LABL1508) Qty - 1	Blackout Decal LHS (LABL1507) Qty - 1	Pop Rivet (FAST0441) Qty - 2	Fitting Instruction (FIT-TC0289) Qty - 1	



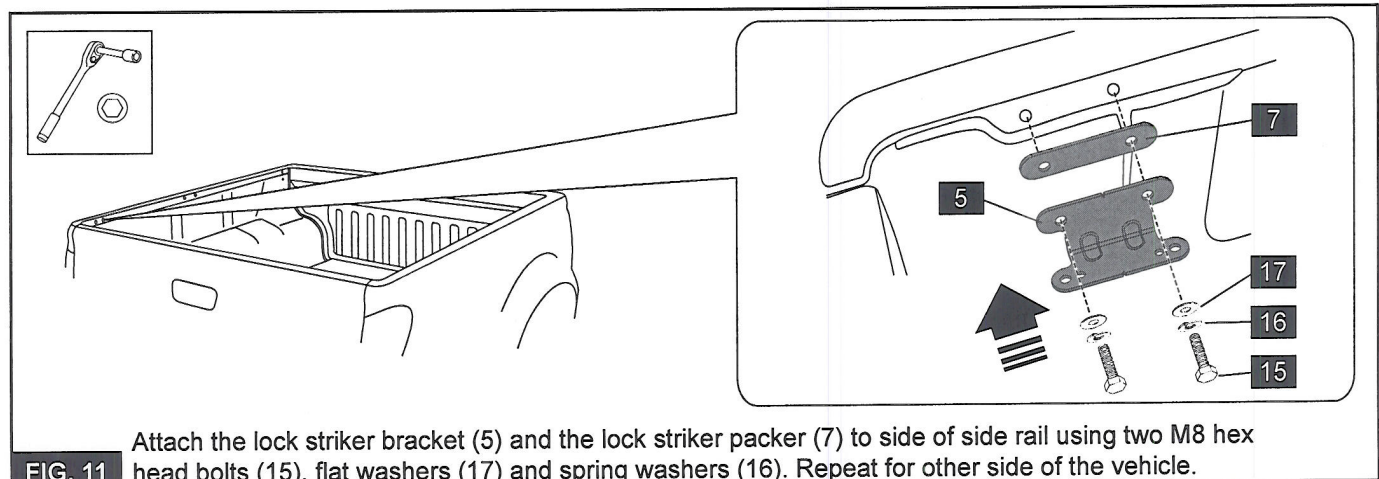




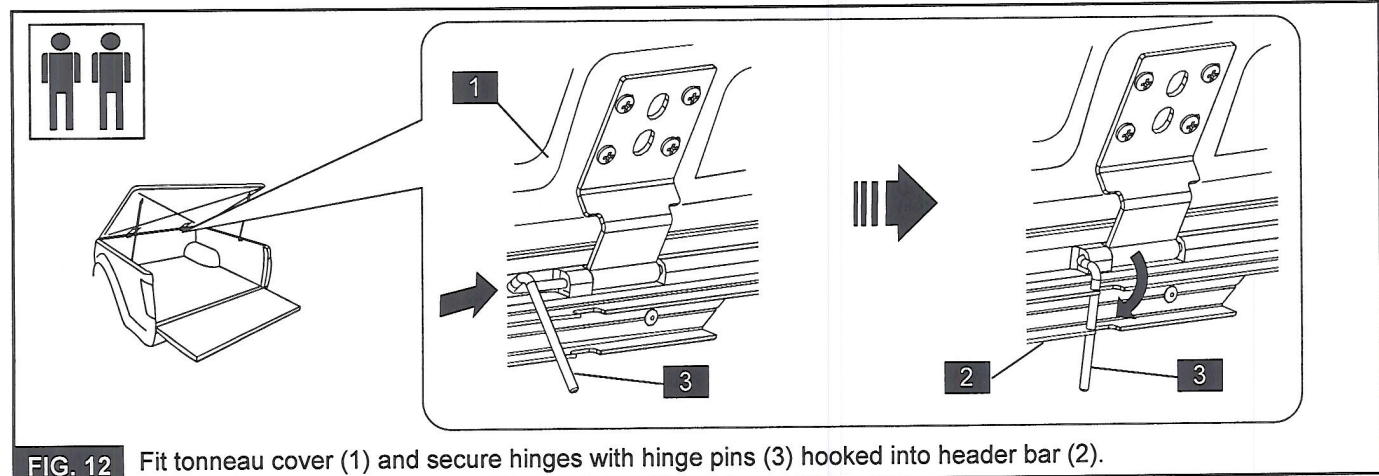
**FIG. 9** Center punch the marked hole "E" and drill with a 7mm drill bit. Apply rust inhibitor to the drilled hole. Repeat for other side.



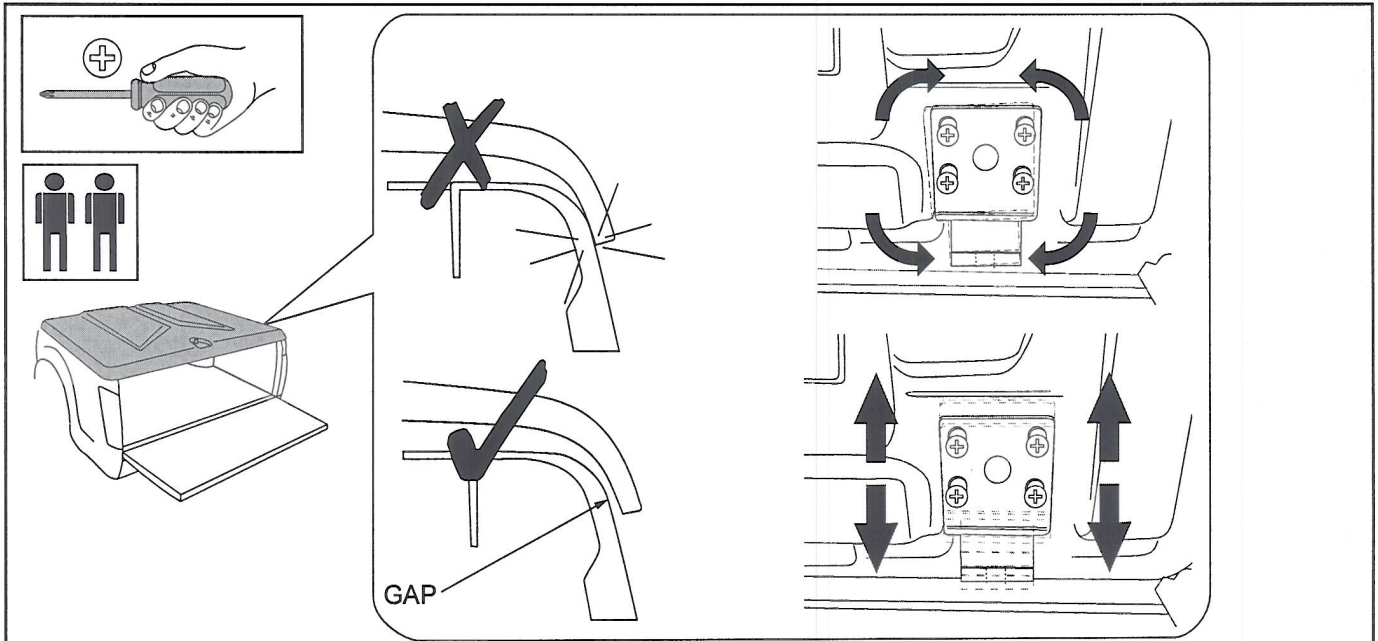
**FIG. 10** Fit the M6 ball stud screw (8) to the side rail and secure with two M6 flat washers (24) and one (25) M6 nyloc nut as shown. Repeat process for the other side of the vehicle.



**FIG. 11** Attach the lock striker bracket (5) and the lock striker packer (7) to side of side rail using two M8 hex head bolts (15), flat washers (17) and spring washers (16). Repeat for other side of the vehicle.



**FIG. 12** Fit tonneau cover (1) and secure hinges with hinge pins (3) hooked into header bar (2).



Check clearance of tonneau cover to vehicle rear corners. Ensure the tailgate is open and close tonneau cover. Check clearances at both rear corners between tonneau cover and sheet metal, gaps should be consistent and at least 2mm. If tonneau cover is touching sheet metal or gaps are not even, adjustment may be required.

**ADJUSTMENT:**

Do this with 2 people, tonneau cover closed and tailgate open. Loosen all screws holding latches and hinges inside tonneau cover. Manually position tonneau cover centrally on tub ensuring even clearances at both rear corners. Hold the tonneau cover in this position and tighten hinge screws.

FIG. 13

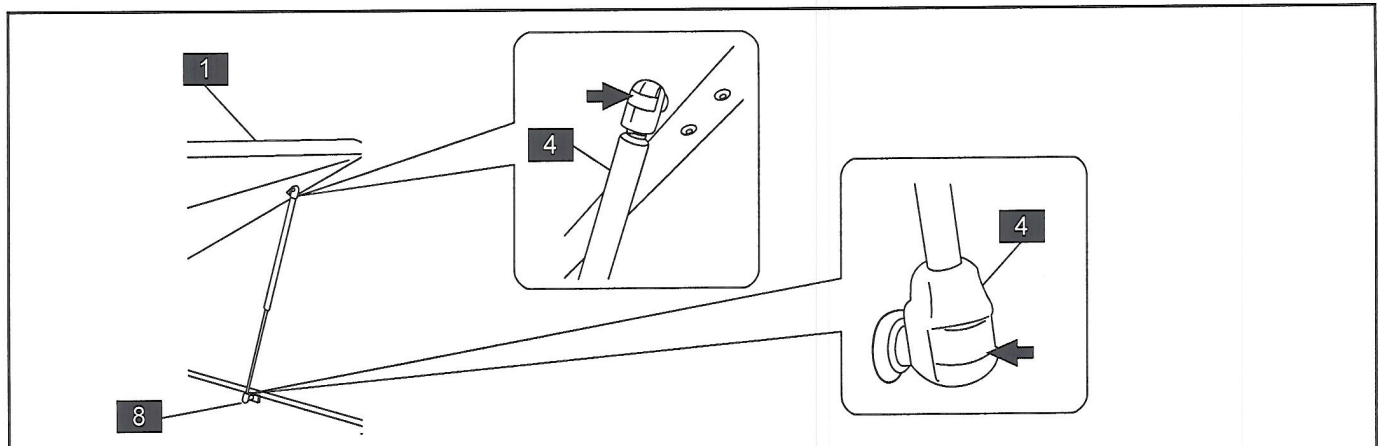
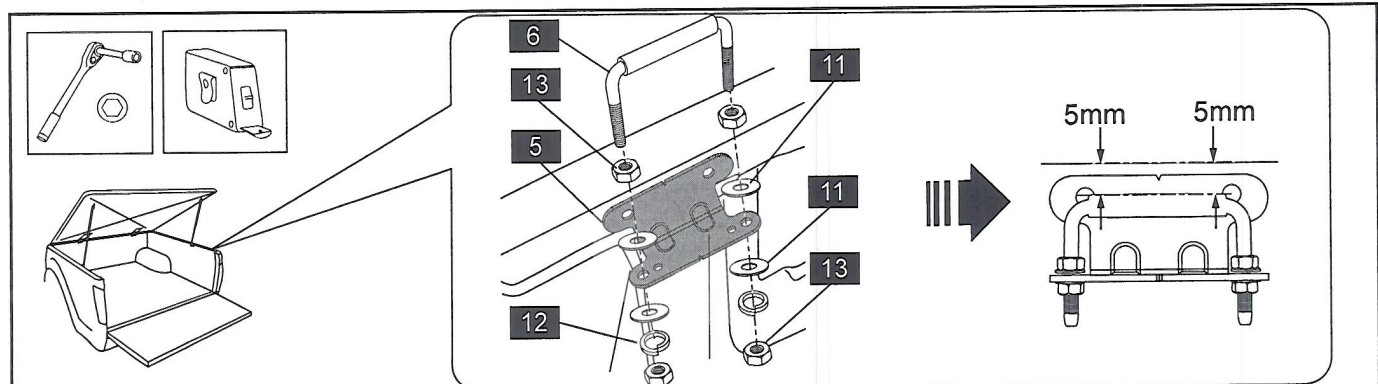


FIG. 14 Attach gas struts (1) by clipping them into place. Ensure narrow end (2) mounts to the vehicle.



Assemble striker U-bolt (6), M6 small flat washers (11), M6 stainless spring washers (12) and M6 stainless hex nuts (13) onto lock striker bracket (5). Adjust so the top of the striker U-bolt (6) is 5mm down from the top of the side rail. Tighten ensuring the 5mm to the top of the side rail is maintained.

FIG. 15

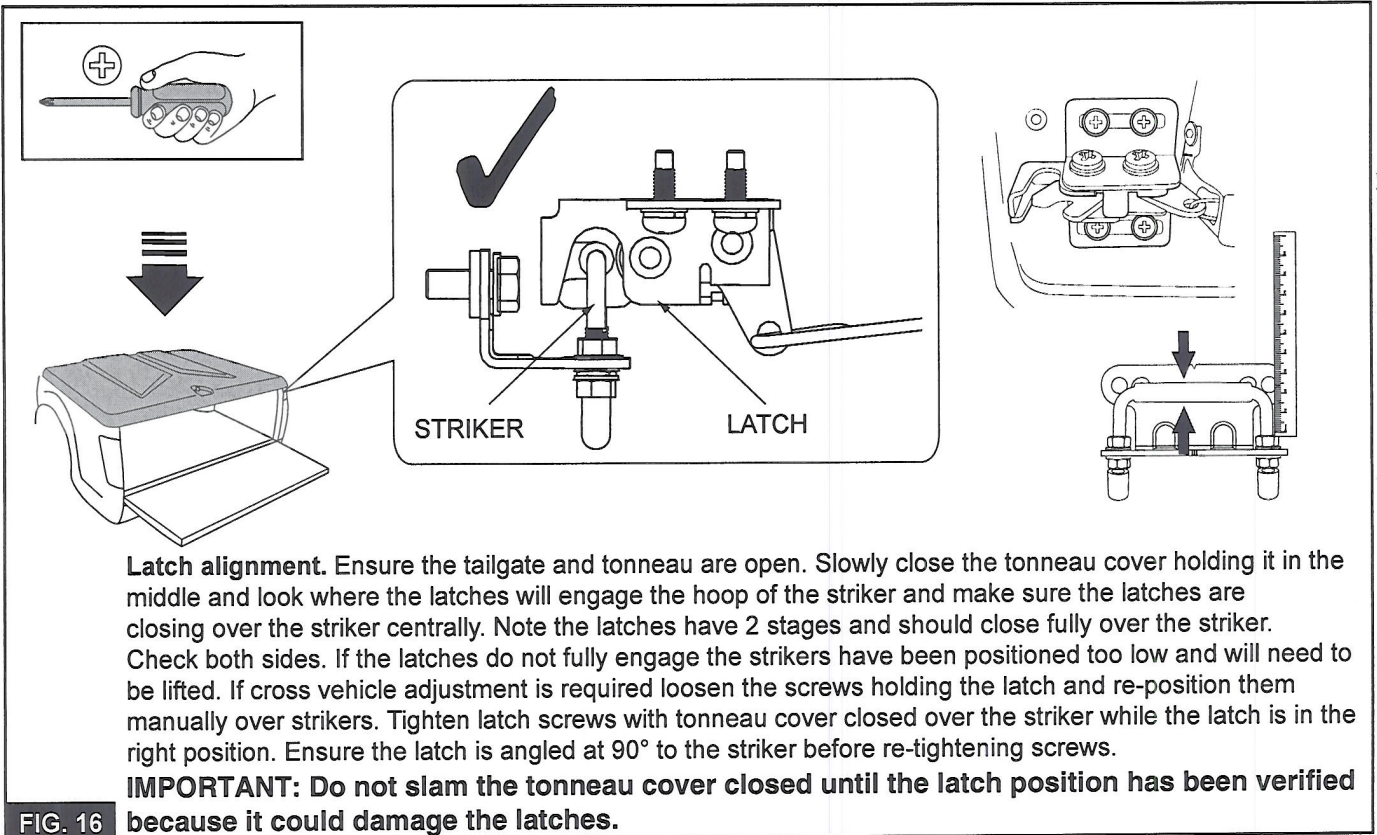


FIG. 16

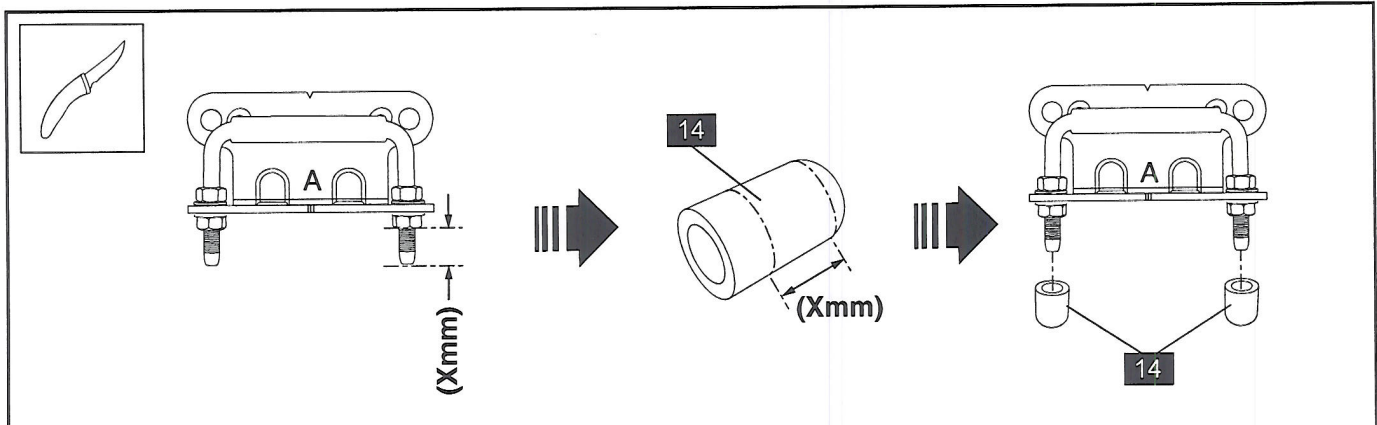
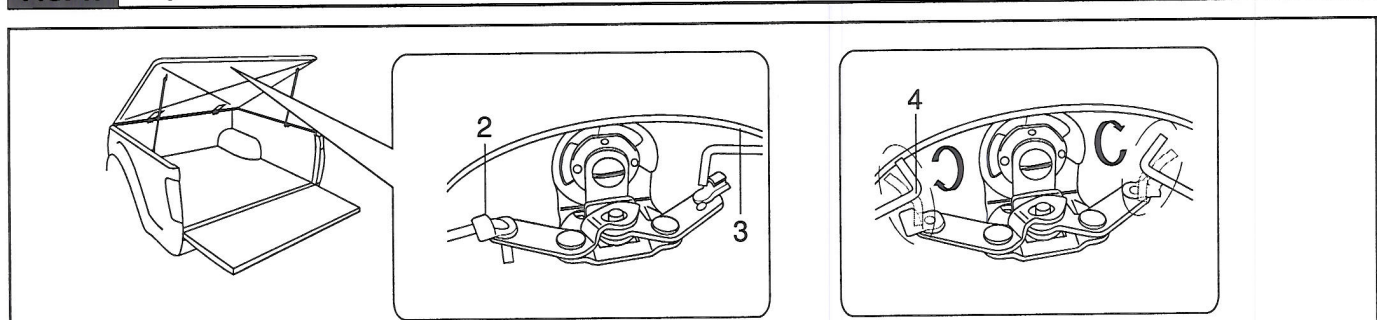


FIG. 17 Measure the length of exposed thread (Xmm) from bottom of the nut to the end of the thread. Measure length (Xmm) on the rubber thread cap (14) and cut to length. Repeat for four thread caps and fit to threads.



**Push button lock operation.** Open tonneau cover, manually close latches and depress push button lock, both latches should open immediately. If latches do not open you may need to adjust the length of pull rods inside tonneau cover. To do this remove inspection cover by removing the two scrivenets and rotating it clockwise. Release plastic retainer clips (2) and unclip pull rods (3), do one at a time. If pull rods are too long they can be shortened by twisting clockwise. If too short they can be lengthened by twisting anti-clockwise. After a couple of turns put pull rods back into position and check operation of push button lock, adjust until lock operation is good.

REMOVAL OF TONNEAU COVER

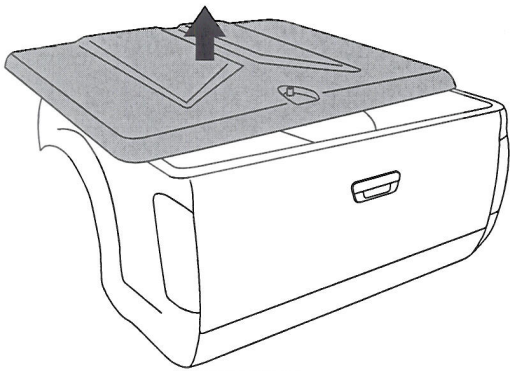


FIGURE 1

1. Open tonneau cover, Detach gas strut (1) by inserting a small screwdriver and adjusting the spring clip (2) on the gas strut (1). Refer to figure 2.  
**NOTE:** Do not remove the spring clip. Only a small amount of levering is required to detach.

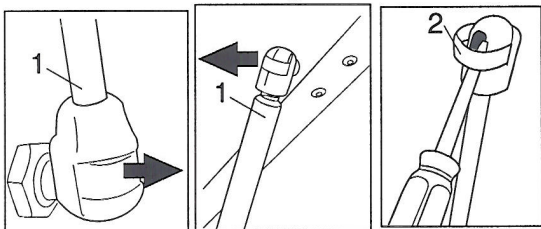
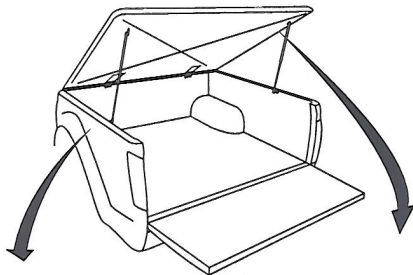


FIGURE 2

- NOTE:** 2 people are required to lift and remove the tonneau cover from the vehicle.
2. Remove hinge pins (1) and remove tonneau cover (2). Refer to figure 3.

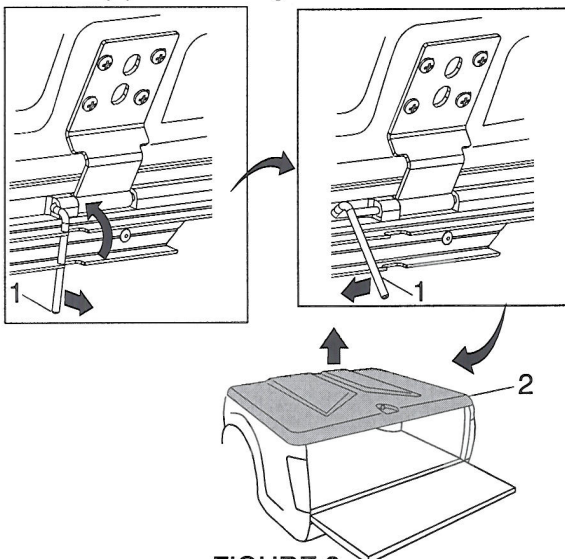


FIGURE 3

REPLACEMENT OF TONNEAU COVER

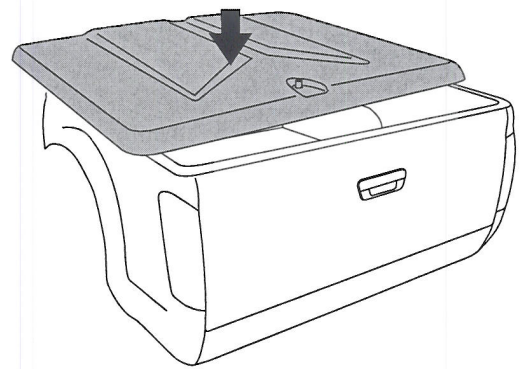


FIGURE 4

**NOTE:** 2 people are required to lift and fit the tonneau cover onto the vehicle.

1. Fit tonneau cover (2) and secure hinges with hinge pins (1). Refer to figure 5.

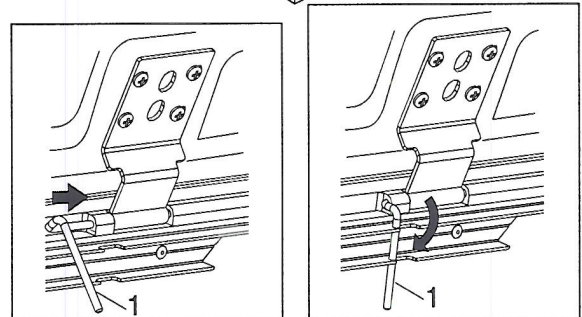
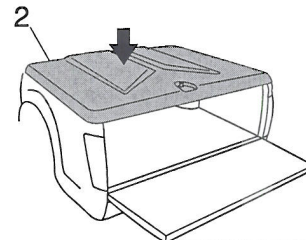


FIGURE 5

2. Attach gas struts (2) by clipping into place. Ensure narrow end (1) mounts to the vehicle. Refer to figure 6.

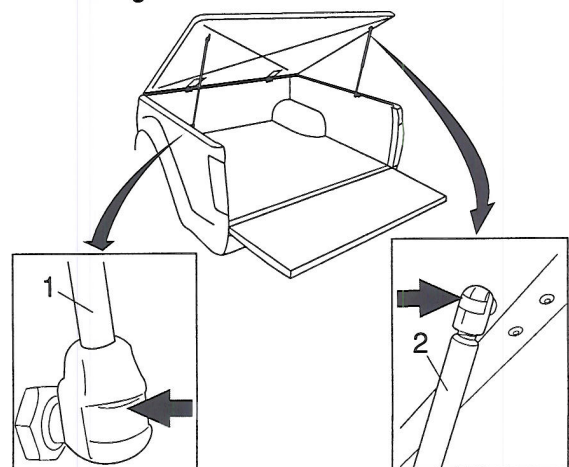


FIGURE 6



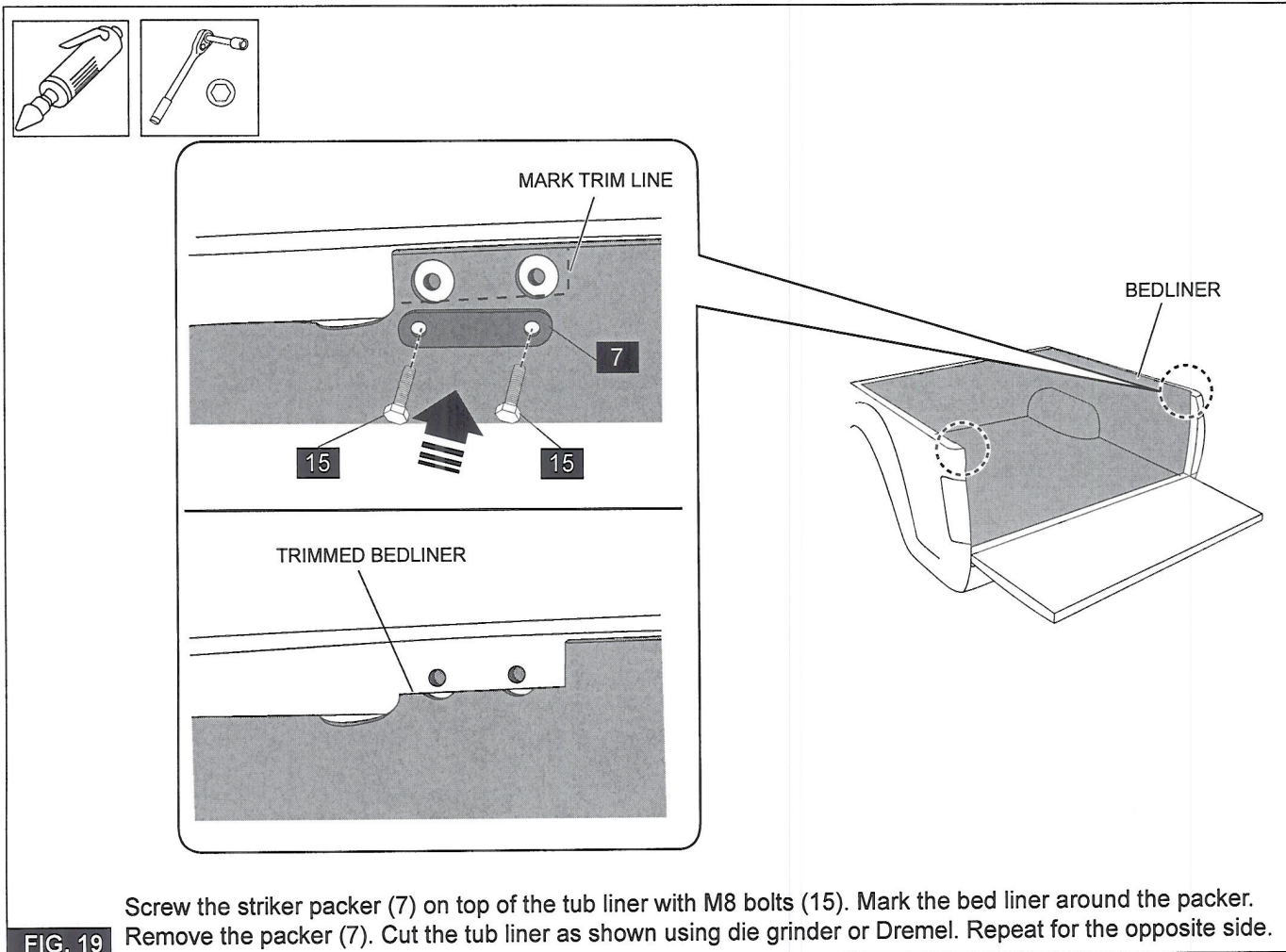


FIG. 19

Screw the striker packer (7) on top of the tub liner with M8 bolts (15). Mark the bed liner around the packer. Remove the packer (7). Cut the tub liner as shown using die grinder or Dremel. Repeat for the opposite side.

ISUZU D-MAX 2012

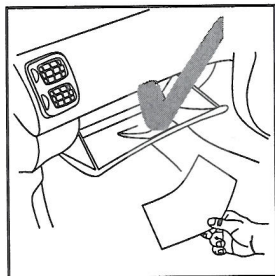
1PIECE HARD TONNEAU COVER

**KEY IDENTIFICATION CODE**



--	--	--	--	--

Please write your key identification code in the boxes above and retain. Replacement keys can be purchased from your local dealer.



**END**